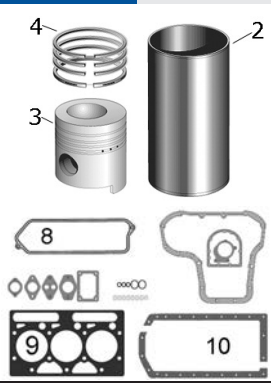
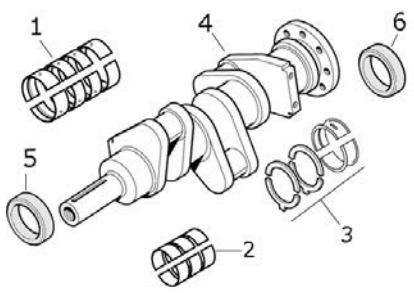


Ford	Engine No.	Cylinder			Piston		
		Cyl.	Bore mm	Length mm	Pin Ø mm	Length mm	No. of Rings
	A3.152	3	91.49	215.77	31.75	90.93	5

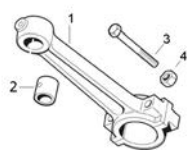
Applications: Super Dexta



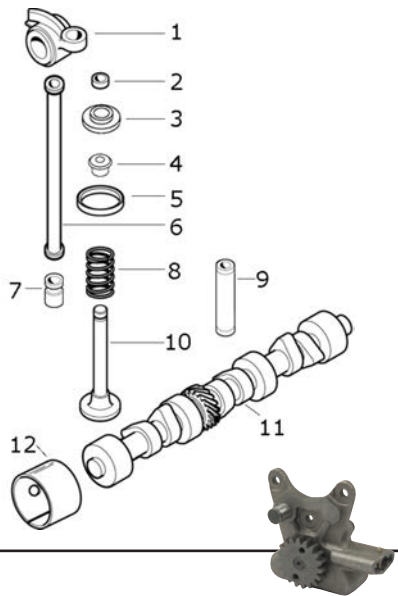
	Description	Notes	OEM Ref:
1	Piston, Ring & Liner Kit		- S.66664
2	Liner		81803820 960E9055 S.75968
3	Piston		81803866 960E6102B S.40403
4	Piston Ring Set		81803866 S.41323
6	Head Gasket Set	Supercedes S.48005	957E6008 S.40588
7	Bottom Gasket Set		960E6C037 S.66827
8	Rocker Cover Gasket		8171801 957E6584 S.40630
9	Head Gasket		81803798 960E6051 S.40619
10			



	Main Bearings Set (Std.)		81804107 x 1 81840156 x 1 81804161 x 1 81804076 x 1 S.40331
	Main Bearings Set +0.010"		81804108 x 1 81840157 x 1 81804162 x 1 81804077 x 1 S.40332
1	Main Bearings Set +0.020"		81804109 x 1 81840158 x 1 81804163 x 1 81804078 x 1 S.40333
	Main Bearings Set +0.030"		81804110 x 1 81840159 x 1 81804164 x 1 81804079 x 1 S.40334
	Conrod Bearings Set (Std.)		957E6211A S.40315
	Conrod Bearings Set +0.010"		957E6211G S.40316
2	Conrod Bearings Set +0.020"		81803986 95756211H S.40317
	Conrod Bearings Set +0.030"		81803987 95756211J S.40318
	Thrust Bearings Set		81877707 x 2 81717711 x 2 S.40343
3	Thrust Bearings Set +0.075"		81877708 x 2 81717712 x 2 S.40344
4	Crankshaft 3.152	Rope Seal, Keyed Type	957E6303 S.40309
5	Oil Seal	2.0" x 2.75" x 0.5"	81717731 957E6362 S.65980
6	Rope Seal Set 2pcs		81717827 957E6701 S.40354



1	Conrod	9" between centres.	81803971 957E6200 S.40357
2	Small End Bush		80505353 81803978 957E6207 S.40360
3	Bolt & Nut Assembly	Connecting Rod	81803991 957E6215 S.40362
4	Conrod Nut	7/16" UNF	39065552 S.41328



1			
2	Valve Collet		957E6518 S.41412
3			
4			
5			
6			
7	Valve Tappet	Camshaft follower	81804255 957E6489 S.41345
8	Valve Spring inner	Inner	81804285 957E6509 S.40500
8	Valve Spring outer	Outer	81804295 957E6513 S.40505
9	Valve Guide		81804289 957E6510B S.40495
10	Inlet Valve	45° Angle	81717769 957E6507 S.40475
10	Exhaust Valve		81717764 957E6505 S.40485
11	Camshaft		957E6250 S.41507
12			

13	Engine Oil Pump		81804347, 957E6600C S.5934
----	-----------------	--	--------------------------------------