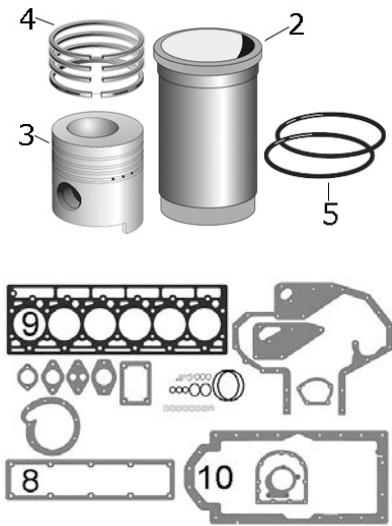
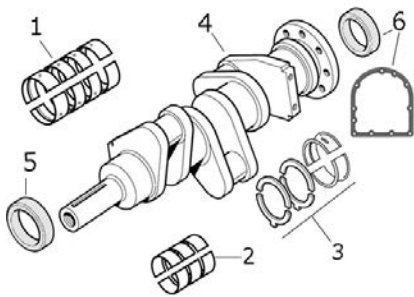


**Case IH**

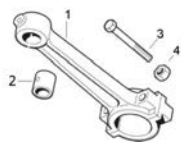
Engine No.	Cylinder			Piston			Piston Type
	Cyl.	Bore mm	Length mm	Pin Ø mm	Length mm	No. of Rings	
<b>D358</b>	6	98.43	216.1	36	102/107	3	With combustion chamber
Applications: 955, 956, 1046, 1055, 1056							



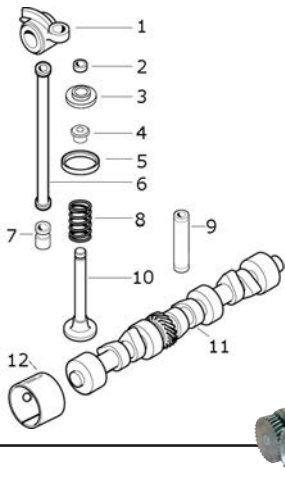
Description	Notes	OEM Ref:	
1	Piston, Ring & Liner Kit	3218759R95	<b>S.57848</b>
2	Liner	3139592R4	<b>S.57617</b>
3	Piston	-	<b>S.57627</b>
4	Piston Ring Set	3218416R92	<b>S.57632</b>
4	Piston Ring Set	-	<b>S.37861</b>
5	Liner Seal	3228344R1	<b>S.57622</b>
1	Piston, Ring & Liner Kit	3139591R94	<b>S.57849</b>
2	Liner	3139592R4	<b>S.57617</b>
3	Piston (Al-Fin Ring)	-	<b>S.57626</b>
4	Piston Ring Set	3139594R91	<b>S.57633</b>
5	Liner Seal	3228344R1	<b>S.57622</b>
6	Head Gasket Set	3136801R99	<b>S.57679</b>
7	Bottom Gasket Set	1967013C1	<b>S.57691</b>
8	Rocker Cover Gasket	3138688R1	<b>S.57687</b>
9	Head Gasket	3228019R2	<b>S.57683</b>
10	Sump Gasket	3055987R2	<b>S.57698</b>



	Main Bearings Set (Std.)	3055129R21 x1 3055130R21 x6	<b>S.57656</b>
1	Main Bearings Set +0.010"	3056820R11 x1 3056832R21 x6	<b>S.57663</b>
+			
3	Main Bearings Set +0.020"	3056875R11 x1 3056877R21 x6	<b>S.57664</b>
	Main Bearings Set +0.030"	3055776R11 x1 3055779R21 x6	<b>S.57665</b>
	Conrod Bearings Set (Std.)	3055351R91 x6	<b>S.57640</b>
2	Conrod Bearings Set +0.010"	3056834R11 x6	<b>S.57647</b>
	Conrod Bearings Set +0.020"	3056879R11 x6	<b>S.57648</b>
	Conrod Bearings Set +0.030"	3055781R11 x6	<b>S.57649</b>
4	Crankshaft	3136036R95	<b>S.310000</b>
	Oil Seal	80 x 100 x 13mm 3228401R91	<b>S.57822</b>
5	Seal Kit	Front crankshaft seals. Contains: O'Ring, distance ring, oil seal, dowel pins 3228133R93 713778R1 x1 3228401R91 x1 932681R1 x1 932652R1 x1 932224R1 x1	<b>S.57672</b>
6	Oil Seal	110 x 130 x 12.7mm 3138701R91	<b>S.57670</b>
	Rear Main Housing Gasket	3055215R2	<b>S.57692</b>



1			
2	Small End Bush	Unfinished	3132018R2 <b>S.57674</b>
3			
4			



1			
2			
3			
4	Valve Stem Seal Kit	Pack of 6pcs	3218399R91 <b>S.57615</b>
5			
6			
7	Valve Tappet	Camshaft follower	3055052R1 <b>S.57372</b>
8	Valve Spring		3055060R1 <b>S.57606</b>
9	Valve Guide		129322A1 <b>S.57610</b>
10	Inlet Valve		3055055R2 <b>S.57602</b>
	Exhaust Valve		3055056R2 <b>S.57604</b>
11			
12			

13	Engine Oil Pump	3136433R95	<b>S.57716</b>
----	-----------------	------------	----------------