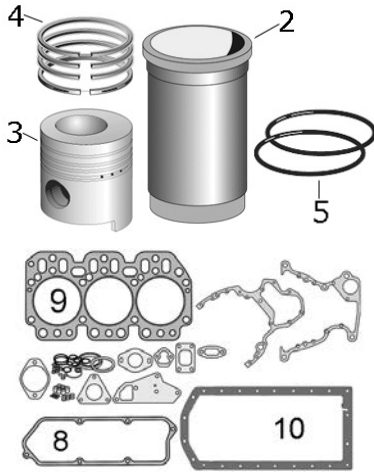
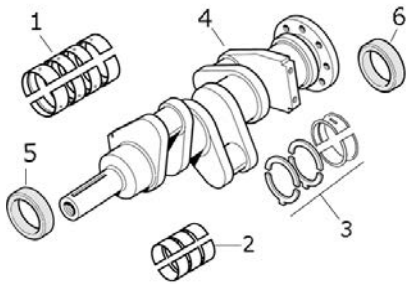


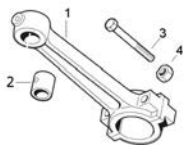
John Deere	Engine No.	Cylinder			Piston			
		Cyl.	Bore mm	Length mm	Pin Ø mm	Length mm	No. of Rings	Type
	3.179T	3	106.5	196.93	41.27	111.97	3	-
Applications: 1950, 1950N								



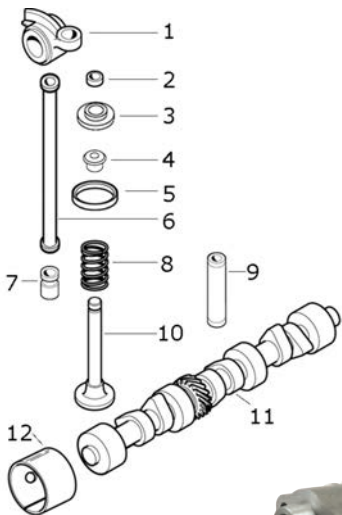
	Description	Notes	OEM Ref:	
1	Piston, Ring & Liner Kit		S-RE33115	S.58846
2	Liner		S-R80724	S.72169
3	Piston (Al-Fin Ring)	With "B" type Piston	S-RE19278	S.58842
4	Piston Ring Set		RE507852 RE48818	S.72162
5	Liner Seal		S-AR65507	S.72172
6	Head Gasket Set		S-RE38850	S.72148
7	Complete Gasket Set		RE37492	S.31605
8	Rocker Cover Gasket	Composite/Rubber, 6 bolt holes	S-R75729	S.58881
9	Head Gasket		S-R97356	S.72132
10	Sump Gasket		S-R97341	S.58859



	Main Bearings Pair (Std.)		RE27352	S.20801
1	Main Bearings Pair +0.010"		RE27353	S.20802
	Main Bearings Pair +0.020"		RE27360	S.20803
	Main Bearings Pair +0.030"		RE27368	S.20804
	Conrod Bearings Pair (Std.)		S-RE27348	S.72107
2	Conrod Bearings Pair +0.010"		S-RE27349	S.72108
	Conrod Bearings Pair +0.020"		S-RE27358	S.72109
	Conrod Bearings Pair +0.030"		S-RE27364	S.72110
	Flange Bearings Pair (Std.)		T21139	S.29041
	Flange Bearings Pair +0.010"		AR97653, AT21132	S.20942
3	Flange Bearings Pair +0.020"		AR97654, AT21134, RE521350	S.20943
	Flange Bearings Pair +0.030"		AR97654, AT21134, RE521350	S.20944
4	Crankshaft		S-AT18031	S.72100
5	Oil Seal	59 x 76.5 x 10mm	S-AR67942	S.72103
6	Oil Seal	118 x 146.1 x 12.7mm	S-RE44574	S.72204



1				
2	Small End Bush	41mm Piston pin	S-R57451	S.72176
3	Conrod Bolt	59mm	S-R80033	S.72181
4				



1	Rocker Arm		S-RE31973	S.72097
	Rocker Arm		R54985	S.31604
2	Valve Collet		T20070, T20077	S.31606
3	Valve Retainer		RE11410	S.31607
4	Valve Cap		S-T20129	S.72098
5	Valve Stem Seal	Inlet	R73064	S.31608
	Valve Stem Seal	Exhaust	R51734	S.31609
6				
7	Valve Tappet	Camshaft follower	T20073	S.31610
8	Valve Spring		S-R26125	S.72125
9	Valve Retainer		RE11410	S.31607
10	Inlet Valve	30°	S-R89219	S.72127
	Exhaust Valve		S-R79624	S.72122
11				
12				



13	Engine Oil Pump	Less Strainer	S-RE35685	S.60037
----	-----------------	---------------	-----------	----------------