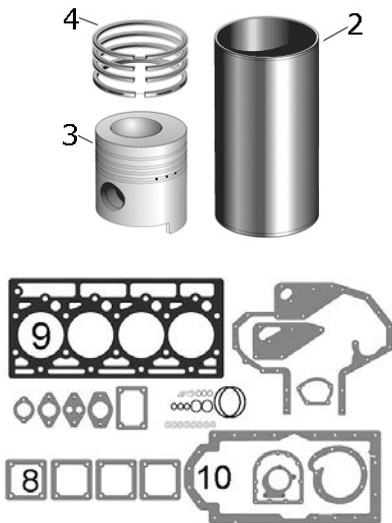
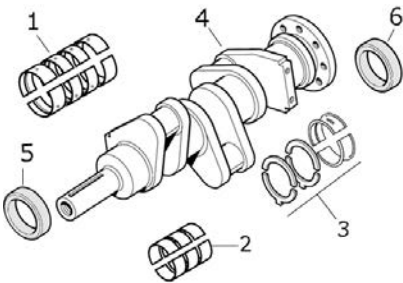


Case IH	Engine No.	Cylinder			Piston			
	4T.390	Cyl.	Bore mm	Length mm	Pin Ø mm	Length mm	No. of Rings	Piston Type
		4	102	200	40	105.36	3	

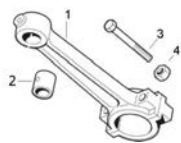
Applications: 5120



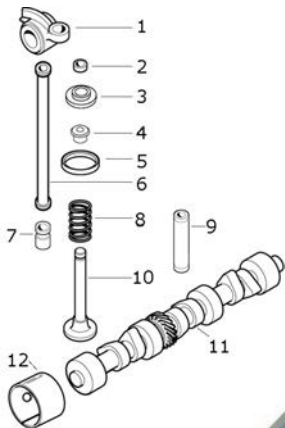
Description	Notes	OEM Ref:
1		
2 Liner		J904166 S.59553
Piston and Ring Set		A77733 S.59550
3 Piston and Ring Set +0.5mm		3802132 A77519 A77731 A77734 S.57488
Piston and Ring Set +1.00mm		A77732 S.57490
Piston Ring Set		A77727 S.59548
4 Piston Ring Set +0.50mm		A77728 J802422 S.57489
Piston Ring Set		A77729 S.57491
6 Head Gasket Set		A77975 S.59500
7 Bottom Gasket Set		A77860 S.59501
8 Rocker Cover Gasket		J930906 S.59503
9 Head Gasket		J283333 S.59502
10 Sump Gasket		A77673 S.30091



Main Bearings Pair (Std.)		A77405	S.59558
1 Main Bearings Pair +0.010"		A77472	S.59559
Main Bearings Pair +0.020"		A77474	S.59560
Conrod Bearings Pair (Std.)		A77465	S.59554
2 Conrod Bearings Pair +0.010"		A77466	S.59555
Conrod Bearings Pair +0.020"		A77467	S.59556
Thrust Bearings Pair		A77406	S.59561
3 Thrust Bearings Pair +0.010"		A77473	S.59562
Thrust Bearings Pair +0.020"		A77475	S.59563
4			
5 Oil Seal	63.4 x 88 x 50mm	-	S.59506
6 Oil Seal	125.6 x 160 x 27.35mm	-	S.59505



1 Conrod	J925232	S.30067
2 Small End Bush	J901085	S.30063
3 Conrod Bolt	J900919	S.30062
4		



1 Rocker Arm (LH)	J910811	S.30075
Rocker Arm (RH)	J910810	S.30074
2 Valve Collet	J900250	S.30060
3 Valve Retainer	J900299	S.30092
4 Valve Stem Seal	J901097	S.30082
6 Push Rod	J904679	S.30070
7 Valve Tappet	J904679	S.30087
8 Valve Spring	J926700	S.30061
9 Valve Guide	J906206	S.30069
10 Inlet Valve	J920867	S.59546
Exhaust Valve	J920868	S.59547
11 Camshaft	J929039	S.30088
12		



13 Engine Oil Pump	J930336	S.59564
--------------------	---------	----------------