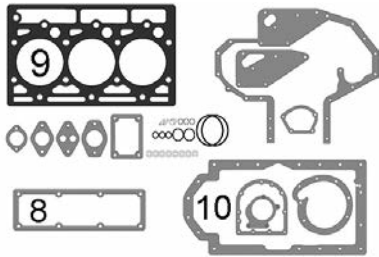
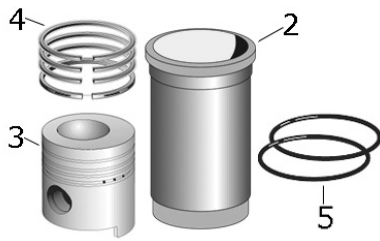
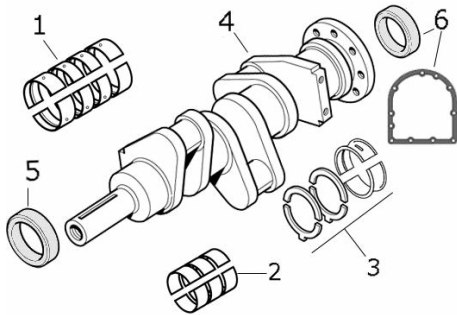


Case IH	Engine No.	Cylinder			Piston			
		Cyl.	Bore mm	Length mm	Pin Ø mm	Length mm	No. of Rings	Piston Type
	D155	3	98.43	201.1	36	102/107	3	With combustion chamber

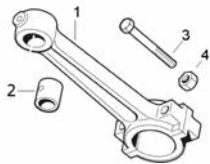
Applications: 323, 353, 383, 423, 433, 453, 533, 540, 3210



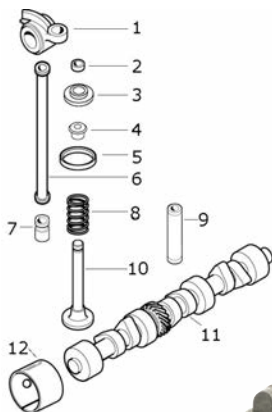
	Description	Notes	OEM Ref:	
1	Piston, Ring & Liner Kit		3218758R95	<b>S.57847</b>
2	Liner		3139587R3	<b>S.57616</b>
3	Piston		-	<b>S.57625</b>
4	Piston Ring Set		3218416R92	<b>S.57632</b>
4	Piston Ring Set		-	<b>S.37861</b>
5	Liner Seal		3228344R1	<b>S.57622</b>
1	Piston, Ring & Liner Kit		3139586R95	<b>S.57850</b>
2	Liner		3139587R3	<b>S.57616</b>
3	Piston (Al-Fin Ring)		3139586R95	<b>S.57624</b>
4	Piston Ring Set		3139594R91	<b>S.57633</b>
5	Liner Seal		3228344R1	<b>S.57622</b>
6	Head Gasket Set		3136798R99	<b>S.57676</b>
7	Bottom Gasket Set		3136802R99	<b>S.57688</b>
8	Rocker Cover Gasket		3138641R1	<b>S.57684</b>
9	Head Gasket		3228361R2	<b>S.57680</b>
10	Sump Gasket		3055160R3	<b>S.57694</b>



	Main Bearings Set (Std.)		3055129R21 x1 3055130R21 x3	<b>S.57654</b>
1	Main Bearings Set +0.010"		3056820R11 x1 3056832R21 x3	<b>S.57657</b>
+				
3	Main Bearings Set +0.020"		3056875R11 x1 3056877R21 x3	<b>S.57658</b>
	Main Bearings Set +0.030"		3055776R11 x1 3055779R21 x3	<b>S.57659</b>
	Conrod Bearings Set (Std.)		3055351R91 x3	<b>S.57638</b>
	Conrod Bearings Set +0.010"		3056834R11 x3	<b>S.57641</b>
2	Conrod Bearings Set +0.020"		3056879R11 x3	<b>S.57642</b>
	Conrod Bearings Set +0.030"		3055781R11 x3	<b>S.57643</b>
	Conrod Bearings Pair		3144688R92	<b>S.37851</b>
4	Oil Seal	80 x 100 x 13mm	3228401R91	<b>S.57822</b>
5	Seal Kit	Front crankshaft seals. Contains: O'Ring, distance ring, oil seal, dowel pins	3228133R93 713778R1 x1 3228401R91 x1 932681R1 x1 932652R1 x1 932224R1 x1	<b>S.57672</b>
6	Oil Seal	110 x 130 x 12.7mm	3138701R91	<b>S.57670</b>
	Rear Main Housing Gasket		3055215R2	<b>S.57692</b>



1				
2	Small End Bush	Unfinished	3132018R2	<b>S.57674</b>
3				
4				



1				
2				
3				
4	Valve Stem Seal Kit	Pack of 6pcs	3218399R91	<b>S.57615</b>
5				
6				
7				
8	Valve Spring		3055060R1	<b>S.57606</b>
9	Valve Guide		129322A1	<b>S.57610</b>
10	Inlet Valve		3055055R2	<b>S.57602</b>
	Exhaust Valve		3055056R2	<b>S.57604</b>
11				
12				



13	Engine Oil Pump		3136429R95	<b>S.57715</b>
----	-----------------	--	------------	----------------