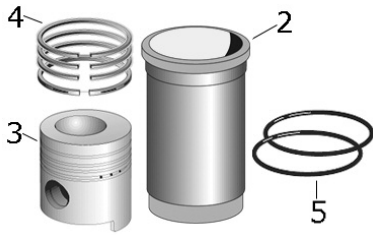
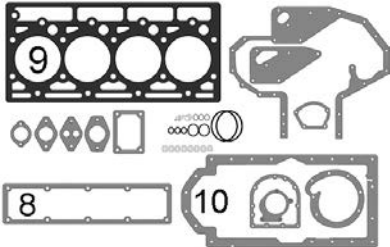


Case IH

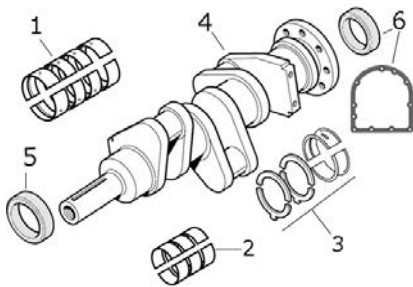
Engine No.	Cylinder			Piston			Piston Type
	Cyl.	Bore mm	Length mm	Pin Ø mm	Length mm	No. of Rings	
D246	4	100	216.1	36	107	3	With combustion chamber
Applications: 824, 844S, 4220							



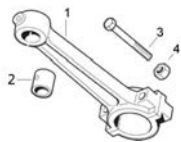
Description	Notes	OEM Ref:	
1 Piston, Ring & Liner Kit		3218668R94	S.57851
2 Liner		3144682R3	S.57620
3 Piston		-	S.57630
4 Piston Ring Set		3218669R91	S.57636
5 Liner Seal		3228344R1	S.57622



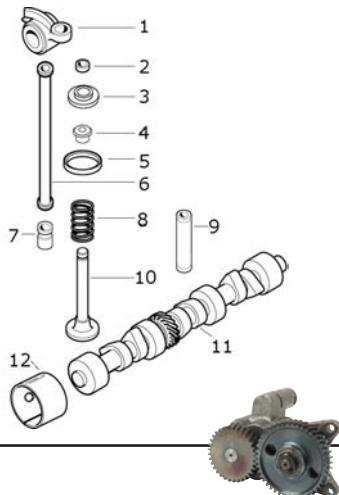
6 Head Gasket Set		1967014C1	S.57678
7 Bottom Gasket Set		1967011C1	S.57690
8 Rocker Cover Gasket		3138642R1	S.57686
9 Head Gasket		3228362R2	S.57682
10 Sump Gasket		3055161R3	S.57696



Main Bearings Set (Std.)		3055129R21 x1 3055130R21 x4	S.57655
1 Main Bearings Set +0.010"		3056820R11 x1 3056832R21 x4	S.57660
+ 3 Main Bearings Set +0.020"		3056875R11 x1 3056877R21 x4	S.57661
Main Bearings Set +0.030"		3055776R11 x1 3055779R21 x4	S.57662
Conrod Bearings Set (Std.)		3055351R91 x4	S.57639
Conrod Bearings Set +0.010"		3056834R11 x4	S.57644
2 Conrod Bearings Set +0.020"		3056879R11 x4	S.57645
Conrod Bearings Set +0.030"		3055781R11 x4	S.57646
Conrod Bearings Pair		3144688R92	S.37851
4 Crankshaft D239		3144626R92	S.57894
Oil Seal	80 x 100 x 13mm	3228401R91	S.57822
5 Seal Kit	Front crankshaft seals. Contains: O'Ring, distance ring, oil seal, dowel pins	3228133R93 713778R1 x1 3228401R91 x1 932681R1 x1 932652R1 x1 932224R1 x1	S.57672
6 Oil Seal	110 x 130 x 12.7mm	3138701R91	S.57670
Rear Main Housing Gasket		3055215R2	S.57692



1			
2 Small End Bush	Unfinished	3132018R2	S.57674
3			
4			



1			
2			
3			
4 Valve Stem Seal Kit	Pack of 8pcs	3228677R91	S.57876
5			
6			
7 Valve Tappet	Camshaft follower	3055052R1	S.57372
8 Valve Spring		3055060R1	S.57606
9 Valve Guide		129322A1	S.57610
10 Inlet Valve		3055055R2	S.57602
Exhaust Valve		3055056R2	S.57604
11			
12			
13 Engine Oil Pump		3136430R95	S.57831