

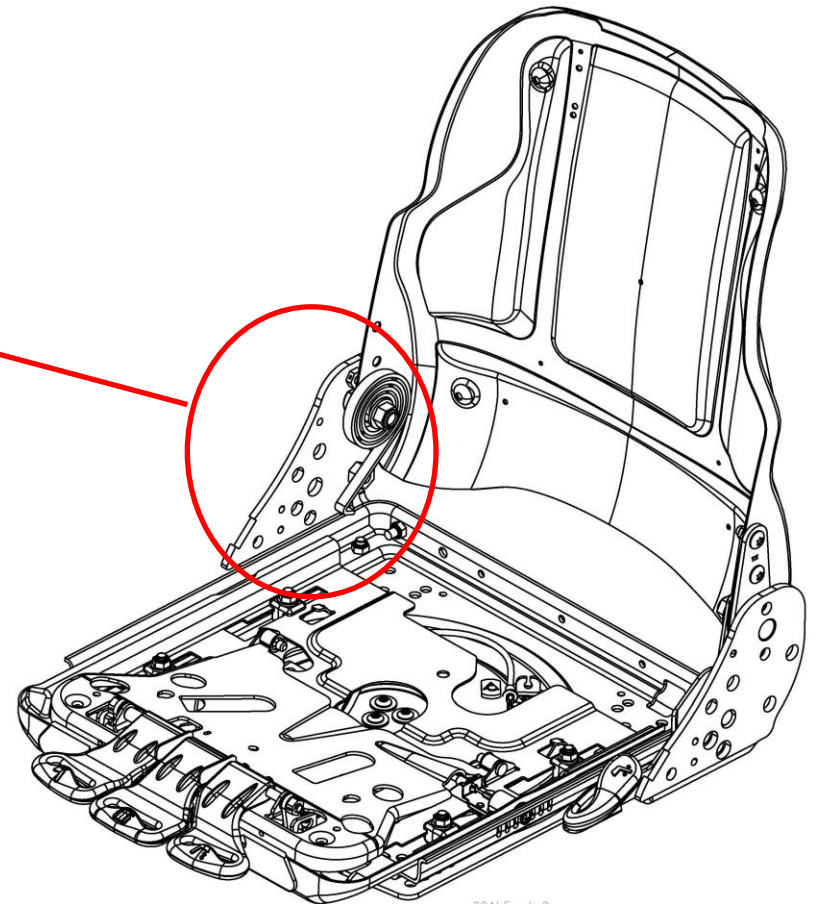


WORK HARD. WORK COMFORTABLY.

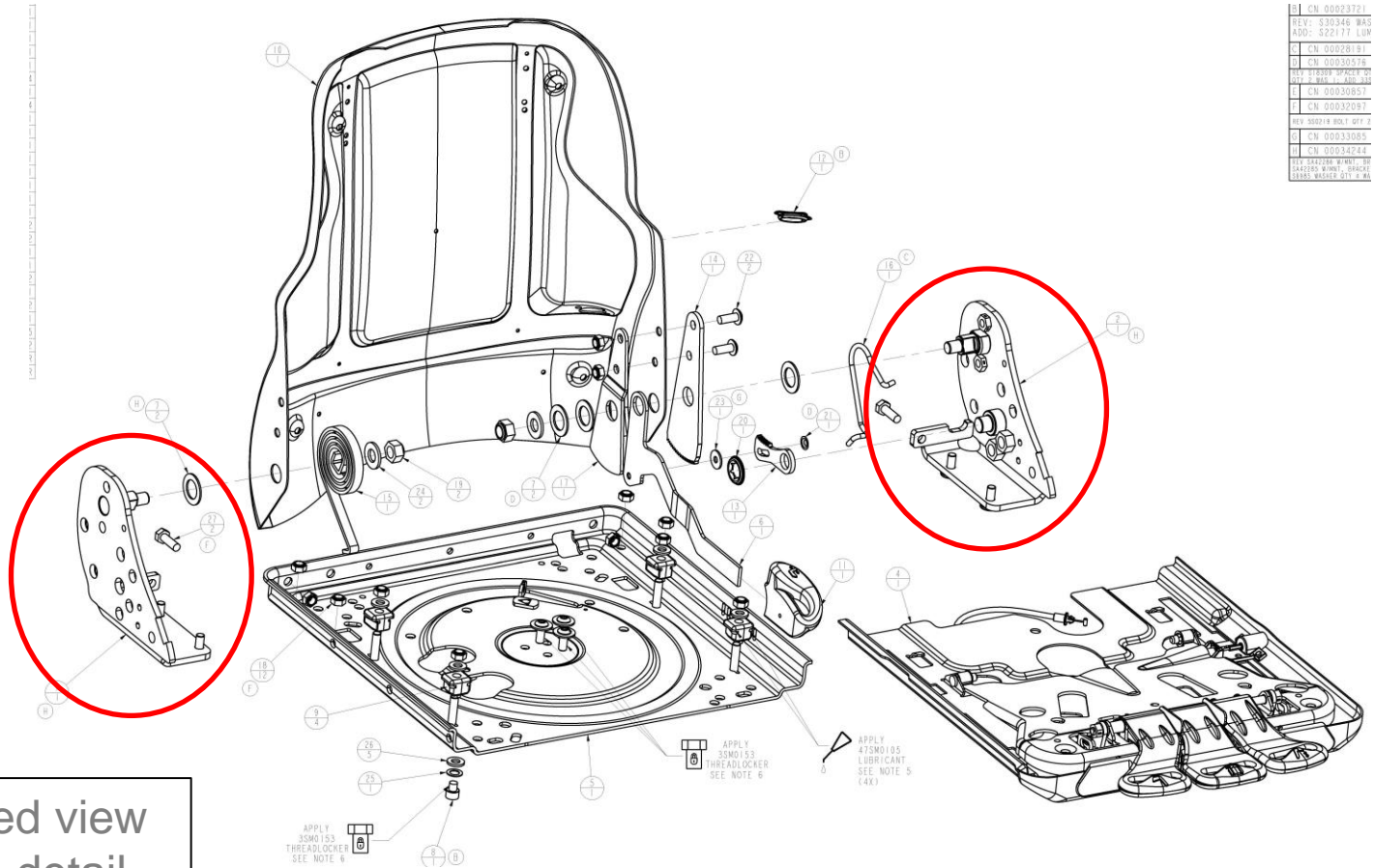
# COMMAND ARM ATTACHMENT



- Seat top structure includes load bearing side brackets on LH & RH sides
- RH armrest can be removed to enable access to hole mounting positions within bracket
- Direct attachment of consoles/armrest is possible

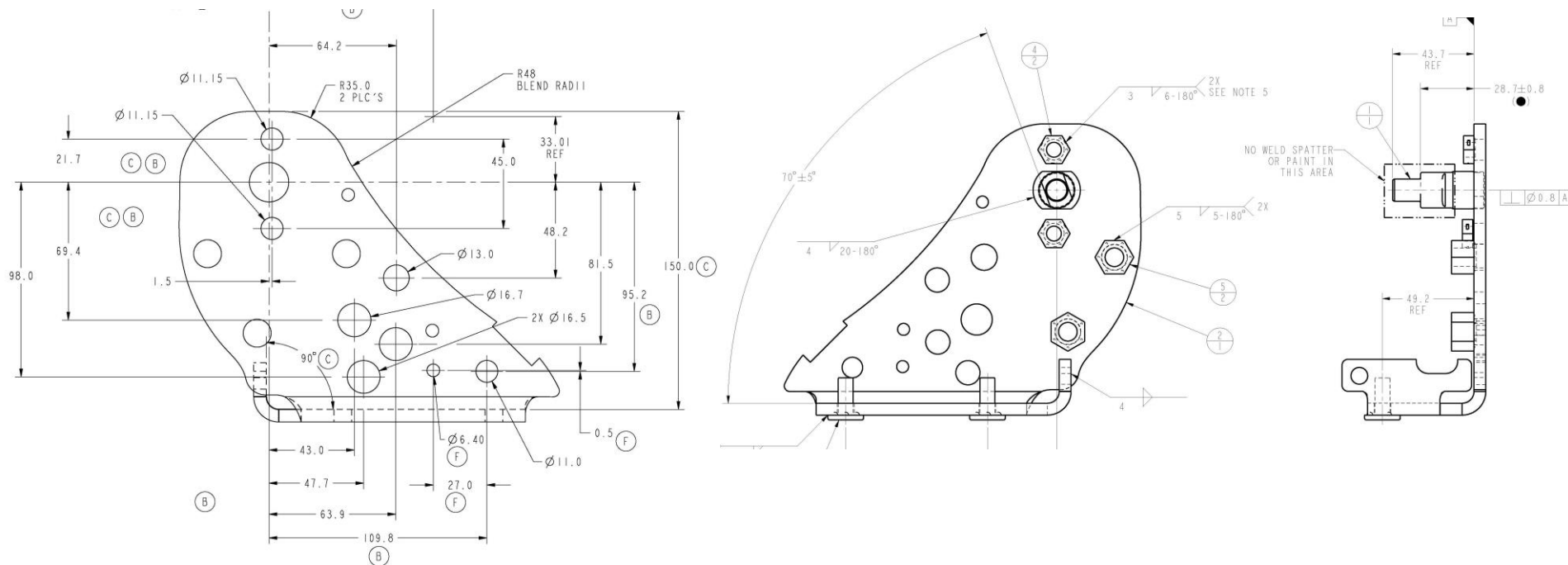


SCALE 1:2



CM 0002372
REV: 330346 WRS
R200: 522117 LSW
CM 0002019
CM 0003037A
REV: 118300 IMPACT 01
REV: 2 000 11 000 000
CM 00030851
CM 00032091
REV: 300218 BOLT 011 2
CM 00033085
CM 00034244
REV: 042006 WMS1 00
144009 WMS1 006001
13185 040472 011 2 W1

• This exploded view shows more detail of the LH and RH brackets



- This view shows dimensions and locations for all mounting points.
- This design allows for a number of OEM armrest attachments with Case, NH and CLAAS.
- It should be possible to fit other OEM command arms to this but Sears does not currently have this information.