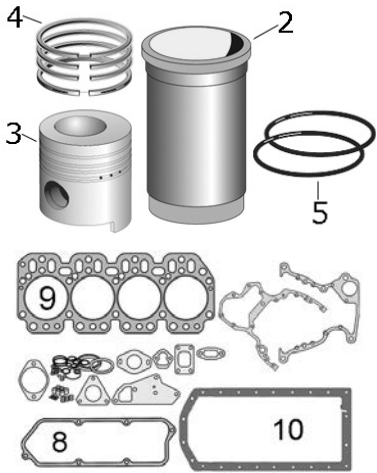


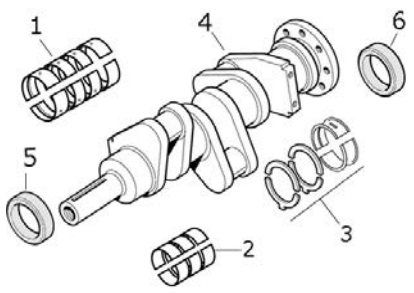


Engine No.	Cylinder			Piston			Type
	Cyl.	Bore mm	Length mm	Pin Ø mm	Length mm	No. of Rings	
4.039D / 4.039T	4	106,0	196.5	34,92	112	3	-

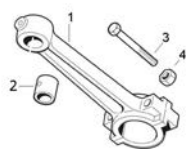
Applications: 3100, 3200, 3210, 5600



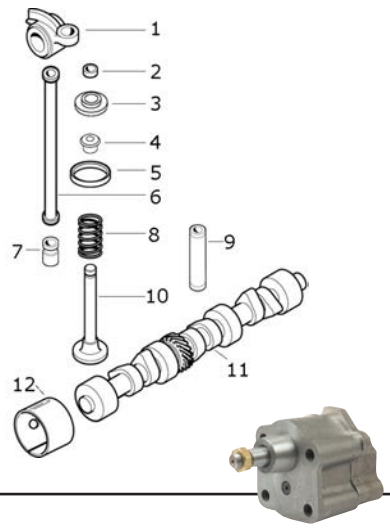
Description	Notes	OEM Ref:
For 4.039D Motor		
1	Piston, Ring & Liner Kit	S-RE30250 S.72164
2	Liner	S-R80724 S.72169
3	Piston	S-AR79868 S.72156
4	Piston Ring Set	RE507852 RE48818 S.72162
5	Liner Seal	S-AR65507 S.72172
For 4.039T Motor		
1	Piston, Ring & Liner Kit	S-RE33115 S.58846
2	Liner	S-R80724 S.72169
3	Piston (Al-Fin Ring)	S-RE19278 S.58842
4	Piston Ring Set	RE507852 RE48818 S.72162
5	Liner Seal	S-AR65507 S.72172
6	Head Gasket Set	S-RE38851 S.72149
7	Bottom Gasket Set	Less Seals RE501579 S.58849
8	Rocker Cover Gasket	Composite/Rubber, 6 bolt holes S-R75729 S.58881
8	Rocker Cover Gasket	Composite/Rubber, 8 bolt holes S-R73521 S.58837
9	Head Gasket	S-R125863 S.72133
10	Sump Gasket	S-R97342 S.58860



1	Main Bearings Pair (Std.)	RE27352 S.20801
1	Main Bearings Pair +0.010"	RE27353 S.20802
1	Main Bearings Pair +0.020"	RE27360 S.20803
1	Main Bearings Pair +0.030"	RE27368 S.20804
2	Conrod Bearings Pair (Std.)	S-RE27348 S.72107
2	Conrod Bearings Pair +0.010"	S-RE27349 S.72108
2	Conrod Bearings Pair +0.020"	S-RE27358 S.72109
2	Conrod Bearings Pair +0.030"	S-RE27364 S.72110
3	Flange Bearings Pair (Std.)	T21139 S.20941
3	Flange Bearings Pair +0.010"	AR97653, AT21132 S.20942
3	Flange Bearings Pair +0.020"	AR97654, AT21134, RE521350 S.20943
3	Flange Bearings Pair +0.030"	AR97654, AT21134, RE521350 S.20944
4	Crankshaft	60mm Nose S-R121018 S-R81959 S-RE20585 S.315001
5	Oil Seal	59 x 76.5 x 10mm S-AR67942 S.72103
6	Oil Seal	118 x 146.1 x 12.7mm S-RE44574 S.72204



1	Conrod	Ø35mm Pin S-RE21076 S.72174
2	Small End Bush	35mm Piston pin S-R55647 S.72177
2	Small End Bush	41mm Piston pin S-R57451 S.72176
3	Conrod Bolt	59mm S-R80033 S.72181
4		



1		
2	Valve Collet	R91889 S.31611
3	Valve Retainer	RE60005 S.31612
4	Valve Cap	RE31617 S.31613
5	Valve Stem Seal	Oversized 0.015" R98063 S.31614
5	Valve Stem Seal	R85687 S.31615
6		
7	Valve Tappet	Camshaft follower T20073 S.31610
8	Valve Spring	S-R26125 S.72125
9		
10	Inlet Valve	R98062 S.31616
10	Exhaust Valve	R90692 S.31617
11	Camshaft	R82820 S.31618
12		

13	Engine Oil Pump	Less Strainer S-RE35685 S.60037
----	-----------------	-------------------------------------------

These parts are Sparex parts and are not manufactured by the Original Equipment Manufacturer. Original Manufacturer's name, part numbers and descriptions are quoted for reference purposes only and are not intended to indicate or suggest that our replacement parts are made by the OEM.