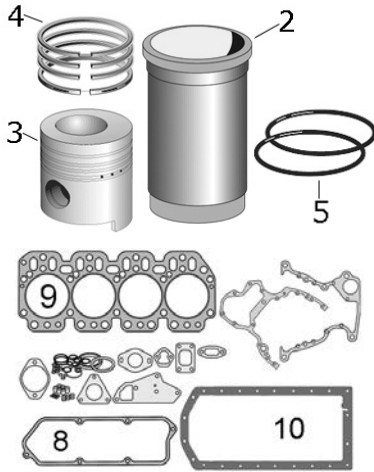
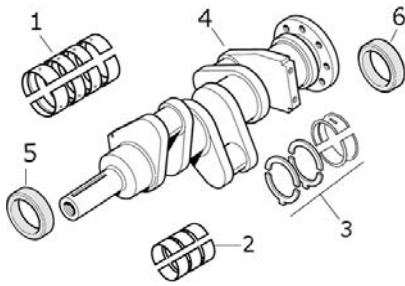


<b>John Deere</b>	Engine No.	Cylinder			Piston			
		Cyl.	Bore mm	Length mm	Pin Ø mm	Length mm	No. of Rings	Type
	<b>4.045T</b>	4	106.5	218	41	112	3	-

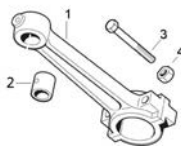
Applications: 6400, 6500, 6510, 6700



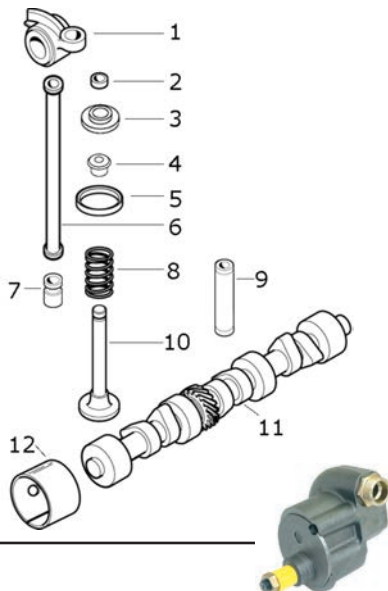
	Description	Notes	OEM Ref:	
1	Piston and Liner Set		RE53073	<b>S.31653</b>
2	Liner		R121867, R80500, RE500024	<b>S.31647</b>
3	Piston		RE48469	<b>S.31654</b>
4	Piston Ring Set		RE507852 RE48818	<b>S.72162</b>
5	Liner Seal		S-AR65507	<b>S.72172</b>
6	Head Gasket Set		S-RE38851	<b>S.72149</b>
7	Complete Gasket Set		RE37715	<b>S.31785</b>
8	Rocker Cover Gasket	Composite/Rubber, 8 bolt holes	S-R73521	<b>S.58837</b>
9	Head Gasket		S-R125863	<b>S.72133</b>
10	Sump Gasket		S-R97342	<b>S.58860</b>



	Main Bearings Pair (Std.)		RE27352	<b>S.20801</b>
1	Main Bearings Pair +0.010"		RE27353	<b>S.20802</b>
	Main Bearings Pair +0.020"		RE27360	<b>S.20803</b>
	Main Bearings Pair +0.030"		RE27368	<b>S.20804</b>
	Conrod Bearings Pair (Std.)		S-RE27348	<b>S.72107</b>
2	Conrod Bearings Pair +0.010"		S-RE27349	<b>S.72108</b>
	Conrod Bearings Pair +0.020"		S-RE27358	<b>S.72109</b>
	Conrod Bearings Pair +0.030"		S-RE27364	<b>S.72110</b>
	Flange Bearings Pair (Std.)		T21139	<b>S.20941</b>
	Flange Bearings Pair +0.010"		AR97653, AT21132	<b>S.20942</b>
3	Flange Bearings Pair +0.020"		AR97654, AT21134, RE521350	<b>S.20943</b>
	Flange Bearings Pair +0.030"		AR97654, AT21134, RE521350	<b>S.20944</b>
4	Crankshaft		RE54883	<b>S.31875</b>
5	Oil Seal	59 x 76.5 x 10mm	S-AR67942	<b>S.72103</b>
6	Oil Seal	118 x 146.1 x 12.7mm	S-RE44574	<b>S.72204</b>



1	Conrod	Ø35mm Pin	S-RE21076	<b>S.72174</b>
2	Small End Bush	41mm Piston pin	S-R57451	<b>S.72176</b>
3	Conrod Bolt		R74195	<b>S.31651</b>
4				



1	Rocker Arm		S-RE31973	<b>S.72097</b>
	Rocker Arm Shaft		R54987	<b>S.31784</b>
2	Valve Collet		R91889	<b>S.31611</b>
3	Valve Retainer		RE11410	<b>S.31607</b>
4	Valve Cap		RE31617	<b>S.31613</b>
5	Valve Stem Seal	Oversized 0.015"	R98063	<b>S.31614</b>
	Valve Stem Seal		R85687	<b>S.31615</b>
6				
7	Valve Tappet	Camshaft follower	T20073	<b>S.31610</b>
8	Valve Spring		S-R26125	<b>S.72125</b>
9				
10	Inlet Valve		R98062	<b>S.31616</b>
	Exhaust Valve		R90692	<b>S.31617</b>
11	Camshaft		R82820	<b>S.31618</b>
12				

13	Engine Oil Pump		AR79464	<b>S.31652</b>
----	-----------------	--	---------	----------------