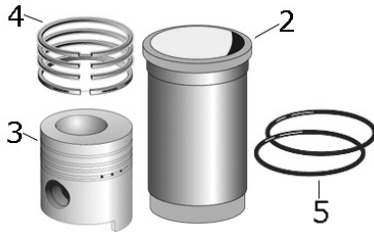
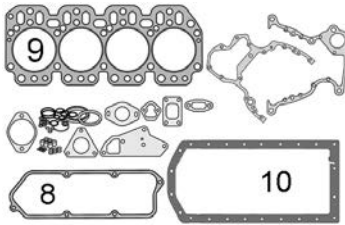


John Deere	Engine No.	Cylinder			Piston			
	4.239D	Cyl.	Bore mm	Length mm	Pin Ø mm	Length mm	No. of Rings	Type
		4	106.5	196.93	34.92	112.02	3	-

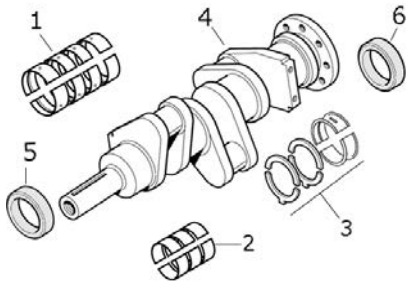
Applications: 1032, 1042, 1052, 1640, 1840, 2040 (S), 2130, 2250, 2350, 2355, 2450, 2550, 3020



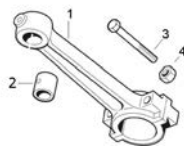
Description	Notes	OEM Ref:	
1 Piston, Ring & Liner Kit		S-RE30250	S.72164
2 Liner		S-R80724	S.72169
3 Piston	With "B" type Piston	S-AR79868	S.72156
4 Piston Ring Set		RE507852 RE48818	S.72162
5 Liner Seal		S-AR65507	S.72172



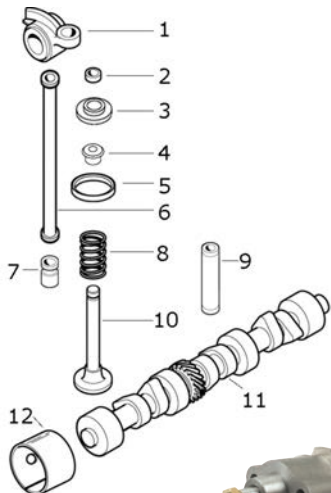
6 Head Gasket Set		S-RE38851	S.72149
7 Bottom Gasket Set	Less Seals	RE501579	S.58849
8 Rocker Cover Gasket	Composite/Rubber, 8 bolt holes	S-R73521	S.58837
9 Head Gasket		S-R125863	S.72133
10 Sump Gasket		S-R97342	S.58860



Main Bearings Pair (Std.)		RE27352	S.20801
1 Main Bearings Pair +0.010"		RE27353	S.20802
Main Bearings Pair +0.020"		RE27360	S.20803
Main Bearings Pair +0.030"		RE27368	S.20804
Conrod Bearings Pair (Std.)		S-RE27348	S.72107
2 Conrod Bearings Pair +0.010"		S-RE27349	S.72108
Conrod Bearings Pair +0.020"		S-RE27358	S.72109
Conrod Bearings Pair +0.030"		S-RE27364	S.72110
Flange Bearings Pair (Std.)		T21139	S.20941
Flange Bearings Pair +0.010"		AR97653, AT21132	S.20942
3 Flange Bearings Pair +0.020"		AR97654, AT21134, RE521350	S.20943
Flange Bearings Pair +0.030"		AR97654, AT21134, RE521350	S.20944
4 Crankshaft		S-AT18030	S.60785
Crankshaft	60mm Nose	S-R121018 S-R81959 S-RE20585	S.315001
5 Oil Seal	59 x 76.5 x 10mm	S-AR67942	S.72103
6 Oil Seal	118 x 146.1 x 12.7mm	S-RE44574	S.72204



1 Conrod	Ø35mm Pin	S-RE21076	S.72174
2 Small End Bush	35mm Piston pin	S-R55647	S.72177
3 Conrod Bolt	59mm	S-R80033	S.72181
4			



1 Rocker Arm		S-RE31973	S.72097
Rocker Arm Shaft		R54987	S.31784
2 Valve Collet		T20070, T20077	S.31606
3 Valve Retainer		RE11410	S.31607
4 Valve Cap		S-T20129	S.72098
5 Valve Stem Seal	Inlet	R73064	S.31608
Valve Stem Seal	Exhaust	R51734	S.31609
6			
7 Valve Tappet	Camshaft follower	T20073	S.31610
8 Valve Spring		S-R26125	S.72125
9			
10 Inlet Valve	45°	S-R79623	S.72126
Exhaust Valve		S-R79624	S.72122
11 Camshaft		R82820	S.31618
12			

13 Engine Oil Pump	Less Strainer	S-RE35685	S.60037
--------------------	---------------	-----------	----------------