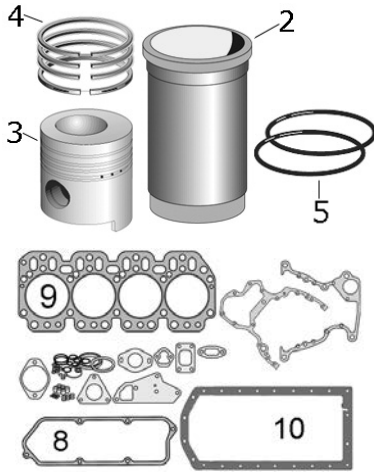
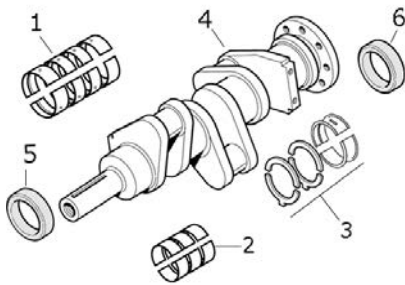


John Deere	Engine No.	Cylinder			Piston			
	4.5D/T	Cyl.	Bore mm	Length mm	Pin Ø mm	Length mm	No. of Rings	Type
		4	106.5	218.5	35/41	100/105	3	-

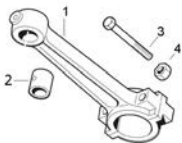
Applications: 6010, 6110, 6210, 6310, 6410, 6510, 6610



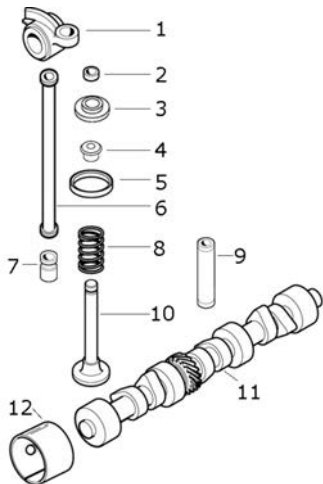
Description	Notes	OEM Ref:
1 Piston and Liner Set		RE65966 S.31625
2 Liner		R116383 S.31626
3 Piston		RE59279 RE505101 S.31627
4 Piston Ring Set		RE66271 S.31628
5 Liner Seal		S-AR65507 S.72172
1 Piston and Liner Set		RE507920 RE505111 RE65967 S.31629
2 Liner		R116383 S.31626
3 Piston (Al-Fin Ring)		RE55512 S.31630
4 Piston Ring Set		RE507852 RE48818 S.72162
5 Liner Seal		S-AR65507 S.72172
6 Head Gasket Set		S-RE526670 S.31632
7 Complete Gasket Set		S-R501455 S.31633
8 Rocker Cover Gasket		R123542 S.31634
9 Head Gasket Set		S-RE526670 S.31632
10 Sump Gasket		R123352 S.31635



	Main Bearings Pair		RE65165 S.31636
1	Main Bearings Pair +0.010"		John Deere RE65911 S.31637
	Conrod Bearings Pair		RE65908 S.31638
2	Conrod Bearings Pair +0.010"		RE65909 S.31639
	Thrust Bearings Pair		RE65168 S.31640
3	Thrust Bearings Pair +0.010"		RE65912 S.31641
4	Crankshaft		R123960, RE50618 S.31876
5	Oil Seal	55 x 84.2 x 12.7mm	RE505515, RE59810 S.31642
6	Oil Seal	118 x 146.1 x 12.7mm	S-RE44574 S.72204



1			
2	Small End Bush		R123960 S.31643
3	Connecting Rod Bolt		R114083 S.31644
4			



1			
2	Valve Collet		R91889 S.31611
3	Valve Retainer		RE60005 S.31612
4	Valve Cap		RE31617 S.31613
5	Valve Stem Seal	Oversized 0.015"	R98063 S.31614
6	Valve Stem Seal		R85687 S.31615
7			
8	Valve Spring		S-R26125 S.72125
9			
10	Inlet Valve		R98062 S.31616
11	Exhaust Valve		R90692 S.31617
12			

13