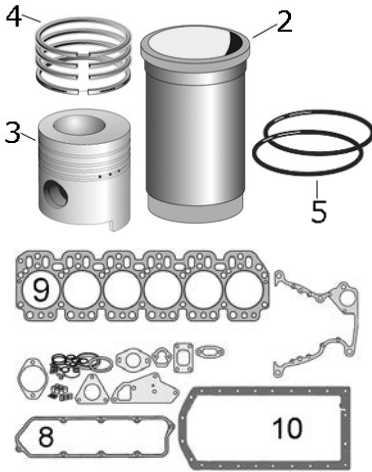
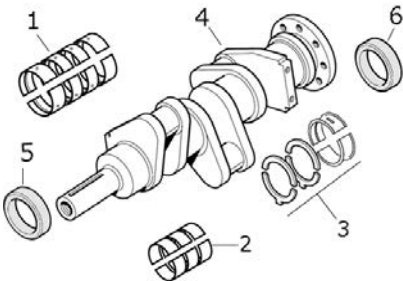


John Deere	Engine No.	Cylinder			Piston			
	6.068T	Cyl.	Bore mm	Length mm	Pin Ø mm	Length mm	No. of Rings	Type
		6	106.5	218	41	112	3	-

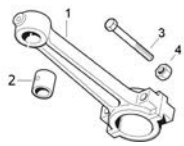
Applications: 6800, 6810, 6900, 6910, 7600, 7610



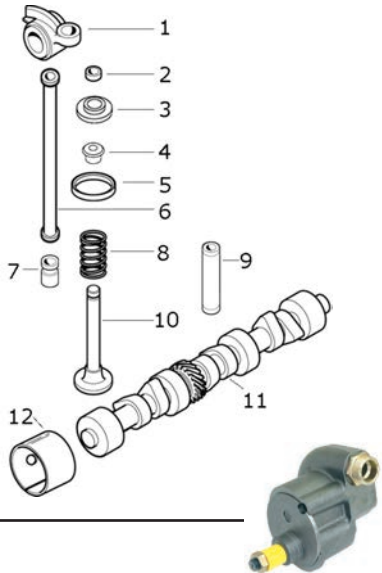
Description	Notes	OEM Ref:	
1	Piston and Liner Set	RE53073	S.31653
2	Liner	R121867, R80500, RE500024	S.31647
3	Piston	RE48469	S.31654
4	Piston Ring Set	RE507852 RE48818	S.72162
5	Liner Seal	S-AR65507	S.72172
6	Head Gasket Set	S-RE38852	S.72152
7	Complete Gasket Set	RE38555, RE38556, RE501569, RE524752	S.31649
8	Rocker Cover Gasket	Composite/Rubber	S-R75728 S.58838
9	Head Gasket	S-R92426	S.72134
10	Sump Gasket	R71918	S.31838



	Main Bearings Pair (Std.)	RE27352	S.20801
1	Main Bearings Pair +0.010"	RE27353	S.20802
	Main Bearings Pair +0.020"	RE27360	S.20803
	Main Bearings Pair +0.030"	RE27368	S.20804
	Conrod Bearings Pair (Std.)	AR97517	S.31700
2	Conrod Bearings Pair +0.010"	AR97653	S.31701
	Flange Bearings Pair (Std.)	T21139	S.20941
	Flange Bearings Pair +0.010"	AR97653, AT21132	S.20942
3	Flange Bearings Pair +0.020"	AR97654, AT21134, RE521350	S.20943
	Flange Bearings Pair +0.030"	AR97654, AT21134, RE521350	S.20944
4	Crankshaft	RE33687	S.31650
5	Oil Seal	59 x 76.5 x 10mm	S-AR67942 S.72103
6	Oil Seal	118 x 146.1 x 12.7mm	S-RE44574 S.72204



1			
2	Small End Bush	41mm Piston pin	S-R57451 S.72176
3	Conrod Bolt		R74195 S.31651
4			



1			
2	Valve Collet	R91889	S.31611
3	Valve Retainer	RE60005	S.31612
4	Valve Cap	RE31617	S.31613
5	Valve Stem Seal	Oversized 0.015"	R98063 S.31614
	Valve Stem Seal		R85687 S.31615
6			
7	Valve Tappet	Camshaft follower	T20073 S.31610
8	Valve Spring		S-R26125 S.72125
	Valve Spring		S-R26125 S.72125
9			
10	Inlet Valve	R98062	S.31616
11	Exhaust Valve	R90692	S.31617
12	Camshaft	R82821	S.31655

13	Engine Oil Pump	AR79464	S.31652
----	-----------------	---------	----------------