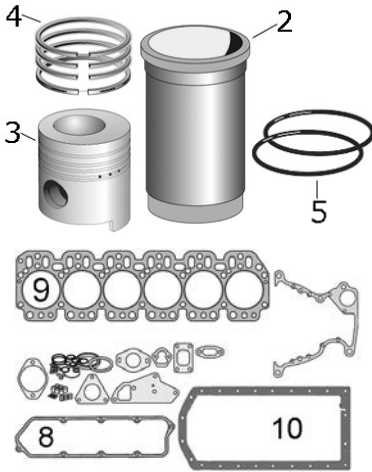
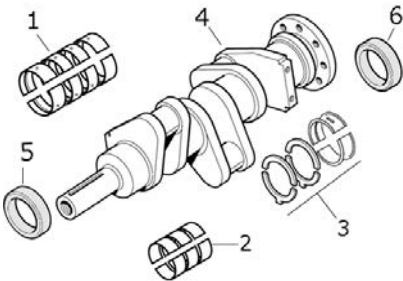


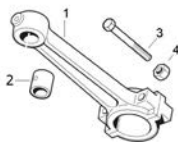
John Deere	Engine No.	Cylinder			Piston			
		Cyl.	Bore mm	Length mm	Pin Ø mm	Length mm	No. of Rings	Type
	6.329D	6	101.98	196.86	30	112.03	3	Check Serial Numbers
Applications: 3030, 3120, 3130, 4030								



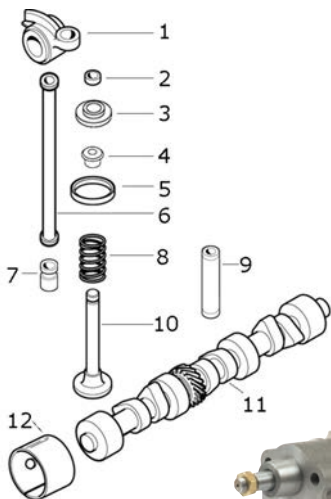
Description	Notes	OEM Ref:	
1 Piston and Liner Set		-	S.37966
2 Liner		AR51903	S.37968
3 Piston (Al-Fin Ring)		S-T30015	S.59679
1 Piston and Liner Set		-	S.37964
2 Liner		S-T32343	S.72167
3 Piston (Al-Fin Ring)		S-T30015	S.59679
1 Piston, Ring & Liner Kit		S-AR78041	S.72163
2 Liner		S-T32343	S.72167
3 Piston (Al-Fin Ring)		S-AR77762	S.72155
4 Piston Ring Set		S-AR55759	S.72160
5 Liner Seal		S-AR71618	S.72171
Head Gasket Set		S-RE38852	S.72152
Complete Gasket Set		RE38859	S.31689
8 Rocker Cover Gasket	Cork	S-T20467	S.72139
8 Rocker Cover Gasket	Composite/Rubber	S-R75728	S.58838
9 Head Gasket		S-R92426	S.72134
10 Sump Gasket		S-R97344	S.58861



	Main Bearings Pair (Std.)		RE27352	S.20801
1	Main Bearings Pair +0.010"		RE27353	S.20802
	Main Bearings Pair +0.020"		RE27360	S.20803
	Main Bearings Pair +0.030"		RE27368	S.20804
	Conrod Bearings Pair (Std.)		S-RE27348	S.72107
2	Conrod Bearings Pair +0.010"		S-RE27349	S.72108
	Conrod Bearings Pair +0.020"		S-RE27358	S.72109
	Conrod Bearings Pair +0.030"		S-RE27364	S.72110
	Flange Bearings Pair (Std.)		T21139	S.20941
	Flange Bearings Pair +0.010"		AR97653, AT21132	S.20942
3	Flange Bearings Pair +0.020"		AR97654, AT21134, RE521350	S.20943
	Flange Bearings Pair +0.030"		AR97654, AT21134, RE521350	S.20944
4	Crankshaft		S-AT22562	S.72101
5	Oil Seal	59 x 76.5 x 10mm	S-AR67942	S.72103
6	Oil Seal	118 x 146.1 x 12.7mm	S-RE44574	S.72204



1	Small End Bush	30mm Piston pin	S-T23471	S.72178
2	Small End Bush	35mm Piston pin	S-R55647	S.72177
3	Conrod Bolt		R74194	S.31603
4				



	Rocker Arm		S-RE31973	S.72097
1	Rocker Arm Shaft		RE54986	S.31691
2	Valve Collet		T20070, T20077	S.31606
3	Valve Retainer		RE11410	S.31607
4	Valve Cap		S-T20129	S.72098
5	Valve Stem Seal	Inlet	R73064	S.31608
	Valve Stem Seal	Exhaust	R51734	S.31609
6				
7	Valve Tappet	Camshaft follower	T20073	S.31610
8	Valve Spring		S-R26125	S.72125
9				
10	Inlet Valve	45°	S-R79623	S.72126
	Exhaust Valve		S-R79624	S.72122
11	Camshaft		R82821	S.31655
12				

13	Engine Oil Pump	Less Strainer	S-RE35685	S.60037
----	-----------------	---------------	-----------	----------------