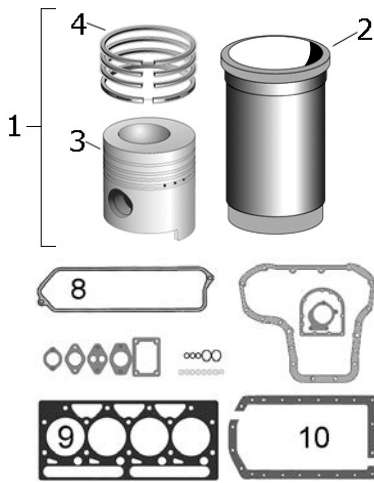
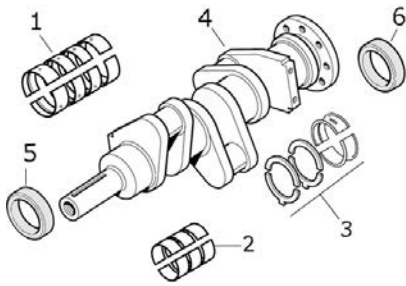


<b>Massey Ferguson</b>	Engine No.	Cylinder			Piston			
	<b>A4.107</b>	Cyl.	Bore mm	Length mm	Pin Ø mm	Length mm	No. of Rings	Piston Type
		4	79.38	163.53	23.9	80.2	5	

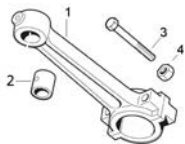
Applications: 25, 130



Description	Notes	OEM Ref:	
1 Piston, Ring & Liner Kit		3637429M91	<b>S.42459</b>
2 Liner		734127M1, 31358116	<b>S.42450</b>
3 Piston		741335M91, 89216	<b>S.43082</b>
4 Piston Ring Set		740535M91, 745902M91, 41158085, 4181A009	<b>S.40425</b>
Head Gasket Set		735876M91, 83381, 4222808M91, U5LT0523	<b>S.42315</b>
Bottom Gasket Set		4223920M91, U5LB1116	<b>S.53083</b>
8			
9			
10			



	Main Bearings Set (Std.)	737239M91, 737239Z91, 84992	<b>S.60966</b>
1	Main Bearings Set +0.010"	737240M91, 84992A	<b>S.43165</b>
	Conrod Bearings Set (Std.)	736915M91, 736915Z91, 85037	<b>S.43162</b>
2	Conrod Bearings Set +0.010"	736916M91, 736916Z91, 85037A	<b>S.43163</b>
	Conrod Bearings Set +0.020"	736917M91, 736917Z91, 85037B	<b>S.43164</b>
3			
4			
5	Oil Seal	732043M1, 730098	<b>S.30049</b>
6	Rope Seals (Pack of 10)	4224055M1, 4224055Z1	<b>S.43097</b>



1			
2			
3			
4			

