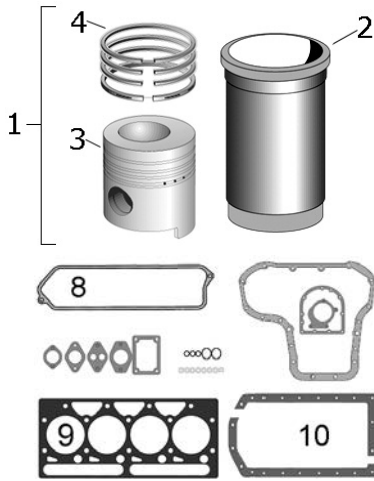
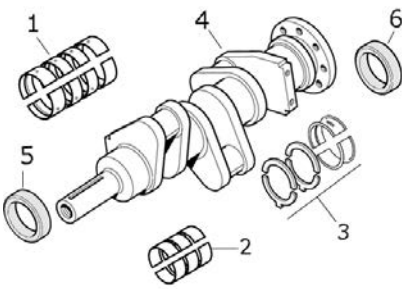


Massey Ferguson	Engine No.	Cylinder			Piston			
	A4.192	Cyl.	Bore mm	Length mm	Pin Ø mm	Length mm	No. of Rings	Piston Type
		4	88.23	215.9	31.75	108.09	5	

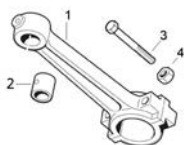
Applications: 65, 765



Description	Notes	OEM Ref:
1 Piston, Ring & Liner Kit		- S.40446
2 Liner		- S.40433
3 Piston		739845M91, 55274 S.40404
4 Piston Ring Set		745823M91, 41158063 S.40418
Head Gasket Set		735726M91, 746050M91, 69035, 83372 S.40590
Bottom Gasket Set		735772M91, 743029M91, 68016, 83373 S.40607
8 Rocker Cover Gasket		731164M1, 0490704 S.40632
9 Head Gasket		3639760M1, 0490689 S.40621
10 Sump Gasket	Rope seal	731752M91, 53587 S.41949



1	Main Bearings Set (Std.)		745405M91 68082 S.40335
	Main Bearings Set +0.010"		745406M91 68082A S.40336
	Main Bearings Set +0.020"		745407M91 68082B S.40337
	Main Bearings Set +0.030"		745408M91 68082C S.40338
2	Conrod Bearings Set (Std.)		737066M91 85035 S.40319
	Conrod Bearings Set +0.010"		737067M91 85035A S.40320
	Conrod Bearings Set +0.020"		737068M91 85035B S.40321
	Conrod Bearings Set +0.030"		737069M91 85035C S.400322
3	Thrust Bearings Set		735112/3M1 3113721/1/21 S.40343
	Thrust Bearings Set +0.075"		735800/1M1 3113721/2/22 S.40344
4	Crankshaft 4.192 / 4.203	Rope Seal	3638473M91, 742742M91, U5BG0028, S.40310
	Flywheel Lock Tab		731192M1, 0921062 S.40347
	Ring Gear	115T	4222485M1+, 3637030M1, 32762145+, 33221328, 3408357M1, 731008M1, 410236 S.40364
5	Oil Seal	2.25" x 3.0" x 0.375" Viton	1447689M1, 2415344 S.40352
6	Rope Seal Set 2pcs		735866M1, 36883106 S.40354



1	Conrod	9" between centres.	3637439M91, ZZ90011 S.40357
2	Small End Bush		740407M1, 31134151 S.40360
3	Bolt & Nut Assembly	Connecting Rod	1476245X1, 377185X1, 375756X1, 33221327, 0095250 S.40362
4	Conrod Nut	7/16" UNF	377185X1 1476245X1 33221327 S.41328