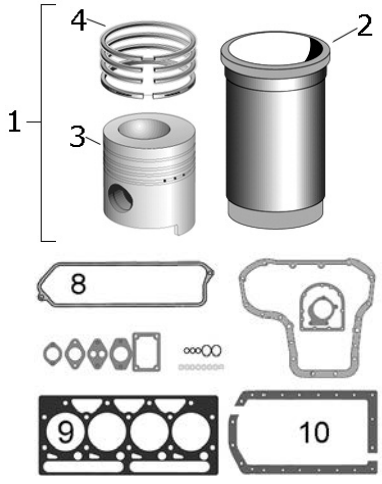
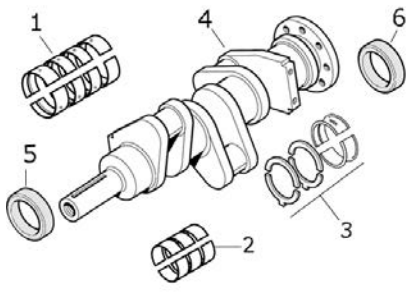


Massey Ferguson	Engine No.	Cylinder			Piston			
	A4.248	Cyl.	Bore mm	Length mm	Pin Ø mm	Length mm	No. of Rings	Piston Type
		4	100.33	223.6	34.93	120.69, 120.72	4/3	

Applications: 50, 60, 185, 178, 188, 194-4F, 285, 290, 293, 294S, 382, 382N, 383, 383S, 387, 390, 393, 394, 397, 440, 590, 690, 3060



	Description	Notes	OEM Ref:	
1	Piston, Ring & Liner Kit		-	S.40451
2	Liner		3637034M1, 3135X034	S.41375
3	Piston		740821M91, 89207	S.40411
4	Piston Ring Set		740535M91, 4181A009	S.40424
1	Piston, Ring & Liner Kit		-	S.40452
2	Liner		742466M1, 31358352	S.40437
3	Piston		740821M91, 89207	S.40411
4	Piston Ring Set		740535M91, 4181A009	S.40424
1	Piston, Ring & Liner Kit		-	S.41595
2	Liner		3637034M1, 3135X034	S.41375
3	Piston		747050M91, U5LP0009	S.41540
4	Piston Ring Set		747428M91, 41158022	S.41401
	Head Gasket Set	105mm Bore, Supercedes S.48021, S.40593, S.40594 and S.40595	3637363M91, 747169M91, U5LT0065	S.41954
	Bottom Gasket Set	Supercedes S.48014 and Supercedes S.40611	747191M91, 3638515M91, U5LB0016, U5LN0016	S.40610
	Bottom Gasket Set		3638516M91, U5LB0046	S.41617
8	Rocker Cover Gasket	Supercedes S.42123	3638461M1, 3638482M1, 36811122, 36811131, 36811132, 3681A026, 4223924M1, 737225M1, 746714M1	S.40634
	Head Gasket	105mm Bore	746342M1, 3638845M1, 36812349, 3681E021	S.40624
9	Head Gasket	104mm Bore	3637341M1, 3638358M1, 36812352, 3681E018, P4056, 3681E034	S.41951
10				



	Main Bearings Set (Std.)		735168M91 81558 423669	S.40339
1	Main Bearings Set +0.010"		735169M91 81558A	S.40340
	Main Bearings Set +0.020"		735170M91 81558B	S.40341
	Main Bearings Set +0.030"		735171M91 81558C	S.40342
	Conrod Bearings Set (Std.)		736950M91 85042 423670	S.40323
2	Conrod Bearings Set +0.010"		736951M91 85042A	S.40324
	Conrod Bearings Set +0.020"		736952M91 85042B	S.40325
	Conrod Bearings Set +0.030"		736953M91 85042C	S.40326
3	Thrust Bearings Set		747128M1, 747129M1, 31137551, 31137561, 424808	S.40345
	Thrust Bearings Set +0.075"		31137312, 31137322, 735742M1, 735743M1	S.40346
4	Crankshaft 4.236 / 4.248	Rope Seal, Heavy Weight, Supercedes S.48025 and Supercedes S.40311	3639541M91, 736829M91, U5BG0054, 84422	S.41641
	Crankshaft 4.236 / 4.248	Lip Seal, Heavy Weight, Supercedes S.48028 and Supercedes S.40314	3637401M91, U5BG0024, 70998009	S.41639
	Flywheel Lock Tab		731192M1, 0921062	S.40347
	Ring Gear	115T	4222485M1+, 3637030M1, 32762145+, 33221328, 3408357M1, 731008M1, 410236	S.40364
5	Oil Seal - Front Timing Cover	2.375" x 3.125" x 0.375"	1446853M1	S.40351
	Rope Seal Set 2pcs		735942M1, 36883108	S.40355
6	Oil Seal	5.25" x 6.25" x 0.422" Viton. Alternative to S.41326	1447691M1, 2418F475, 70730050	S.40356