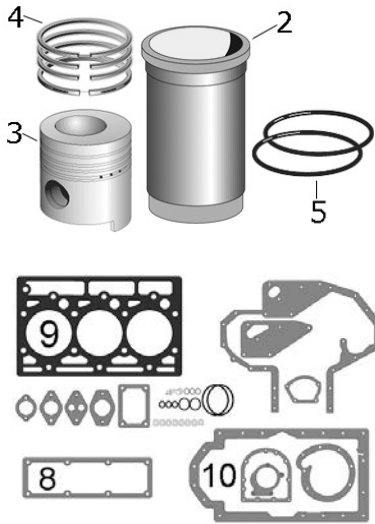


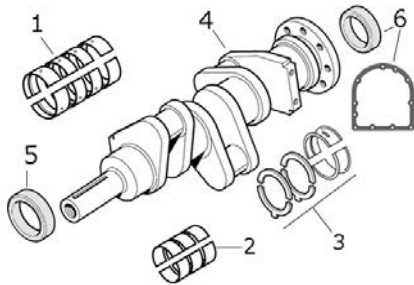
Case IH

Engine No.	Cylinder			Piston			Piston Type
	Cyl.	Bore mm	Length mm	Pin Ø mm	Length mm	No. of Rings	
D179	3	98.43	216.1	36	102/107	3	With combustion chamber

Applications: 523, 553, 633, 640, 3220A



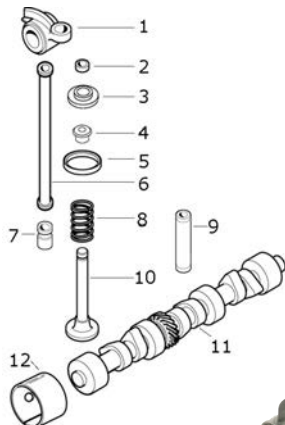
	Description	OEM Ref:	
1	Piston, Ring & Liner Kit	3218759R95	S.57848
2	Liner	3139592R4	S.57617
3	Piston	-	S.57627
4	Piston Ring Set	3218416R92	S.57632
4	Piston Ring Set	-	S.37861
5	Liner Seal	3228344R1	S.57622
1	Piston, Ring & Liner Kit	3139591R94	S.57849
2	Liner	3139592R4	S.57617
3	Piston (Al-Fin Ring)	-	S.57626
4	Piston Ring Set	3139594R91	S.57633
5	Liner Seal	3228344R1	S.57622
6	Head Gasket Set	3136798R99	S.57676
7	Bottom Gasket Set	3136802R99	S.57688
8	Rocker Cover Gasket	3138641R1	S.57684
9	Head Gasket	3228361R2	S.57680
10	Sump Gasket	3055160R3	S.57694



	Main Bearings Set (Std.)	3055129R21 x1 3055130R21 x3	S.57654
1	Main Bearings Set +0.010"	3056820R11 x1 3056832R21 x3	S.57657
3	Main Bearings Set +0.020"	3056875R11 x1 3056877R21 x3	S.57658
	Main Bearings Set +0.030"	3055776R11 x1 3055779R21 x3	S.57659
	Conrod Bearings Set (Std.)	3055351R91 x3	S.57638
	Conrod Bearings Set +0.010"	3056834R11 x3	S.57641
2	Conrod Bearings Set +0.020"	3056879R11 x3	S.57642
	Conrod Bearings Set +0.030"	3055781R11 x3	S.57643
	Conrod Bearings Pair	3144688R92	S.37851
4	Oil Seal	80 x 100 x 13mm	3228401R91 S.57822
5	Seal Kit	Front crankshaft seals. Contains: O'Ring, distance ring, oil seal, dowel pins	3228133R93 713778R1 x1 3228401R91 x1 932681R1 x1 932652R1 x1 932224R1 x1 S.57672
6	Oil Seal	110 x 130 x 12.7mm	3138701R91 S.57670
	Rear Main Housing Gasket	3055215R2	S.57692



1			
2	Small End Bush	Unfinished	3132018R2 S.57674
3			
4			



1			
2			
3			
4	Valve Stem Seal Kit	Pack of 6pcs	3218399R91 S.57615
5			
6			
7			
8	Valve Spring	3055060R1	S.57606
9	Valve Guide	129322A1	S.57610
10	Inlet Valve	3055055R2	S.57602
	Exhaust Valve	3055056R2	S.57604
11			
12			



13	Engine Oil Pump	3136429R95	S.57715
----	-----------------	------------	----------------